

M2514-MP

25mm F1.4

for 2/3" format cameras

C-Mount

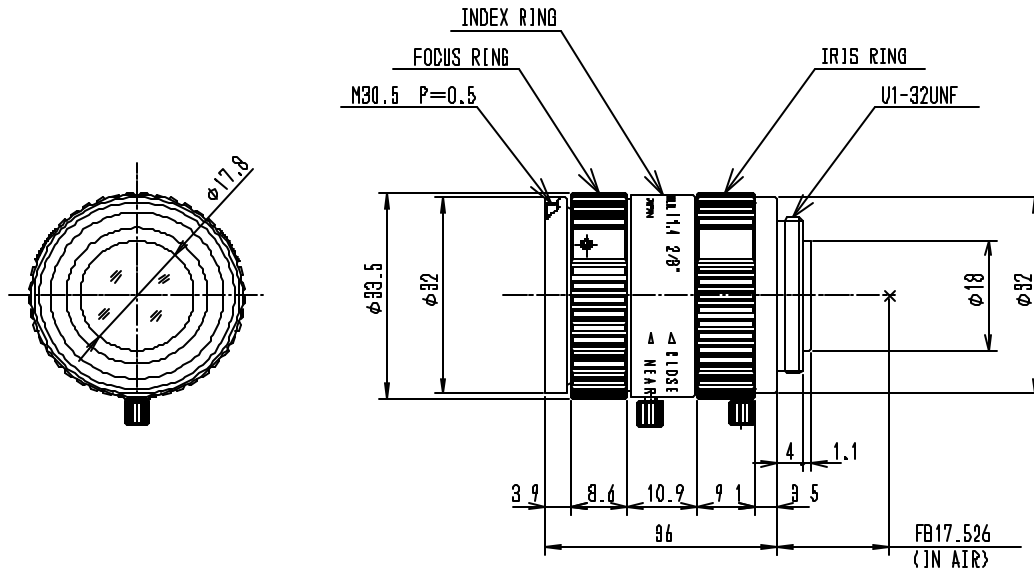
Model No.	M2514-MP		Effective	Front	f 17.8mm
Focal Length	25mm		Lens Aperture	Rear	f 12.0mm
Max. Aperture Ratio	1 : 1.4		Distortion	-0.1%(y=4.0)	
Max. Image Format	8.8 x 6.6mm (f11mm)		Back Focal Length	13.1mm	
Operation Range	Iris	F1.4 - 16C	Flange Back Length	17.526mm	
	Focus	0.3m - Inf.	Mount	C-Mount	
Control	Iris	Manual	Filter Size	M30.5 P=0.5mm	
	Focus	Manual	Dimensions	f33.5 x 36.0mm	
Object Dimension at M.O.D.	10.6 x 8.0cm		Weight	75g	
Angle of View	D	24.9°	1/2"	18.2°	
	H	20.0°		14.6°	
	V	15.1°		11.0°	
Operating Temperature	-20°C ~ +50°C				

2/3

C

M.O.D. : Minimum Object Distance

Dimensions



F