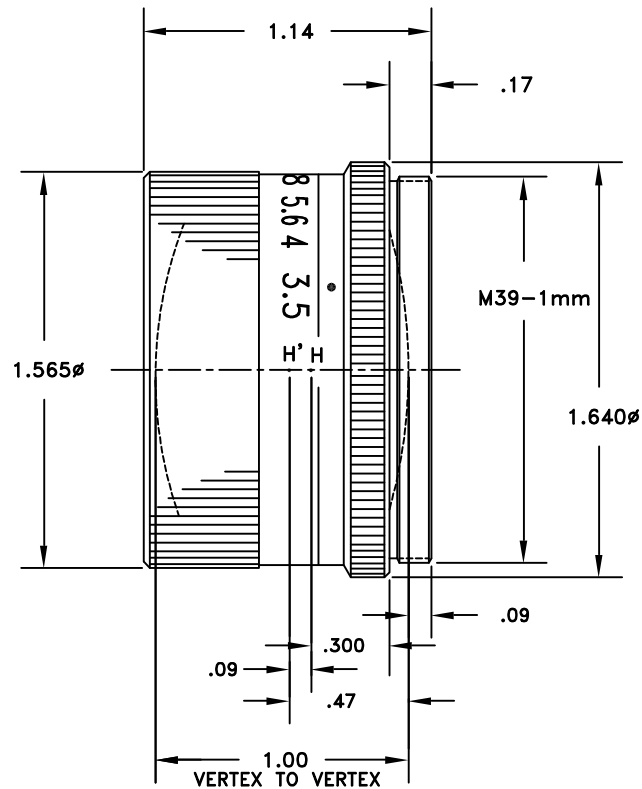


REV	CHANGE RECORD AND DATE	CH
A	RELEASED 9-28-88	



EFL = 78.73mm
 BFL = 66.79mm
 FFL = 63.10mm
 ENTRANCE PUPIL DISTANCE =
 9.0mm FROM FRONT VERTEX
 OF THE LENS.
 EXIT PUPIL DISTANCE =
 18.22mm FROM THE REAR
 VERTEX OF THE LENS.

USED ON

MATERIAL	UNLESS OTHERWISE SPECIFIED DIMENSIONS ARE IN INCHES AND INCLUDE CHEMICALLY APPLIED OR PLATED FINISHES		NAVITAR ROCHESTER, NEW YORK	
FINISH	TOLERANCES AS FOLLOWS	SCALE	75mm F/3.5 DY	
	DEC. .XXX ±.005	DR.	SG	
	DEC. .XX ±.01	CH.		
	FRACT. ±1/64	APP.		
ANGLES ±	DATE DR.	9-28-88	SIZE	B
CONCENTRICITY .003 TIR	DO NOT SCALE DRAWING		SHEET	OF
BREAK ALL SHARP EDGES			1-9616_OL	REV
.005 MIN. .010 MAX.				A
MAX. SURF. ROUGHNESS				