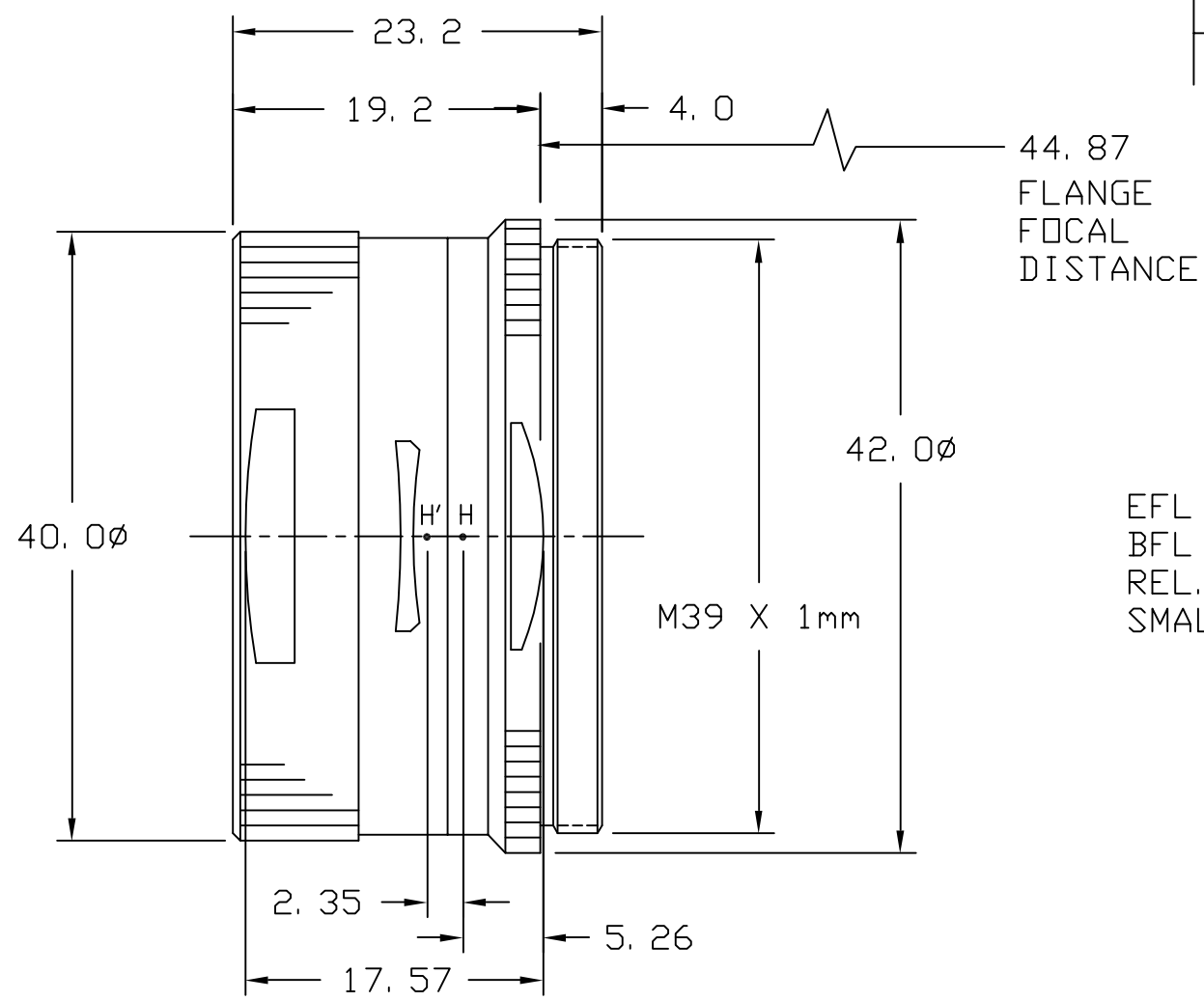


REV	CHANGE RECORD AND DATE	CH
B	REVISED 8-14-90	



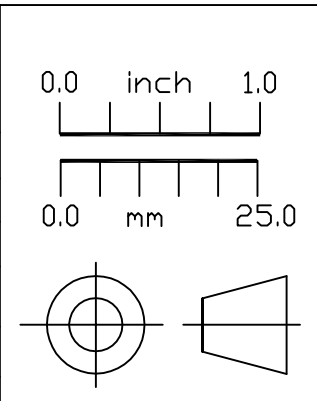
EFL = 52.26mm
 BFL = 44.65mm
 REL. APER. - 3.5
 SMALLEST APER. - 16

NEXT ASSY.

USED ON

MATERIAL	UNLESS OTHERWISE SPECIFIED DIMENSIONS ARE IN MM AND INCLUDE CHEMICALLY APPLIED OR PLATED FINISHES
FINISH	

TOLERANCES AS FOLLOWS .XX ±.13 .X ±.25	SCALE 2X DR. SG CH. APP. DATE DR. 8-14-90
ANGLES ±30' CONCENTRICITY .07 TIR BREAK ALL SHARP EDGES .13 MIN .30 MAX	



NAVITAR ROCHESTER, NEW YORK	
50mm F/3.5	
SIZE A	1-6598_0L
	REV B