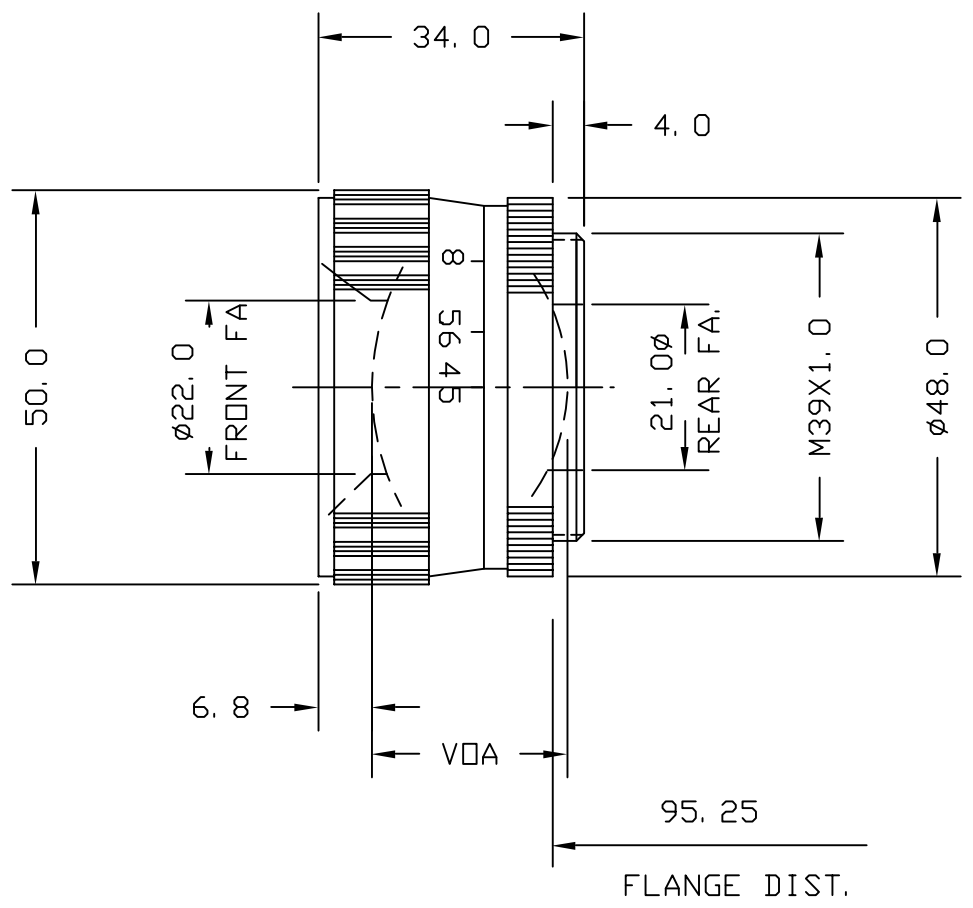


REV	CHANGE RECORD AND DATE	CH
A	RELEASED 9-11-91	



EFL = 105.00 mm
 BFL ∞ = 92.82 mm
 FFL ∞ = 92.10 mm
 VDA = 25.38 mm

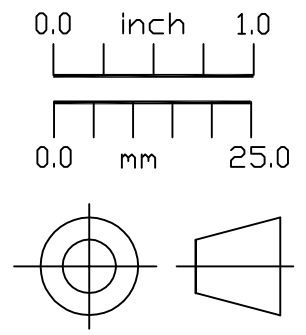
NEXT ASSY.

USED ON

SIMILIAR TO 1-6692

MATERIAL	UNLESS OTHERWISE SPECIFIED DIMENSIONS ARE IN MM AND INCLUDE CHEMICALLY APPLIED OR PLATED FINISHES
FINISH	

TOLERANCES AS FOLLOWS .XX ±.13 .X ±.25 ANGLES ±30' CONCENTRICITY .07 TIR BREAK ALL SHARP EDGES .13 MIN .30 MAX	SCALE 1X DR. A. K. CH. APP. DATE DR. 9-11-91
--	---



NAVITAR ROCHESTER, NEW YORK	
105mm f/4.5 DYOTAR LENS	
SIZE A	1-11552_0L
REV A	