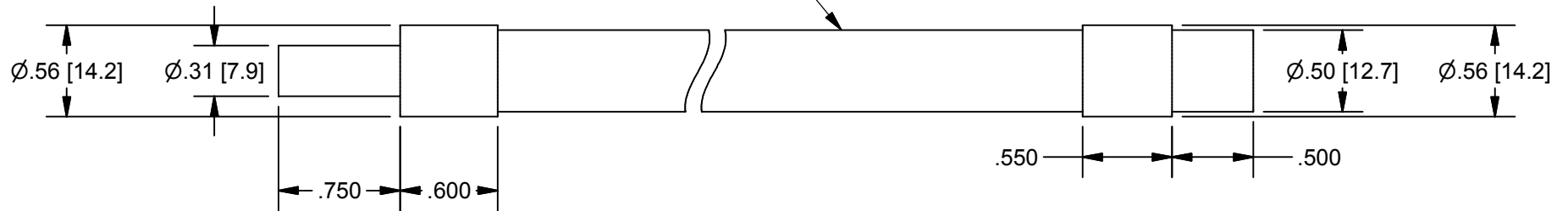


FLEXIBLE SHEATH OVER GLASS FIBER.

1-60101 = 3 FOOT LONG.

1-60106-6 = 6 FOOT LONG.


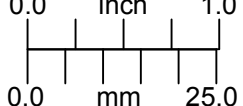
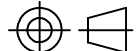
1-60106-10 = 10 FOOT LONG.



OUTLINE

USED ON:

MATERIAL:

	<p>UNLESS OTHERWISE SPECIFIED DIMENSIONS ARE IN INCHES AND INCLUDE CHEMICALLY APPLIED OR PLATED FINISHES</p>	<p><u>P/N SUFFIX DEFINITION</u></p> <ul style="list-style-type: none"> -1 CONVERSION COATING -2 PAINTING -3 MARKING -R REWORK 	<p>THE CONTENTS OF THIS DOCUMENT ARE PROPRIETARY TO NAVITAR, ITS USE IS AUTHORIZED ONLY FOR RESPONDING TO REQUEST FOR QUOTATION OR PERFORMANCE OF WORK FOR NAVITAR</p>												
<p>FINISH:</p>	<p>TOLERANCES AS FOLLOWS</p> <table border="0"> <tr> <td>DEC. .XXX</td> <td>± .005</td> </tr> <tr> <td>DEC. .XX</td> <td>± .010</td> </tr> <tr> <td>FRACT.</td> <td>± 1/64</td> </tr> <tr> <td>ANGLES</td> <td>± 30'</td> </tr> <tr> <td>CONCENTRICITY</td> <td>.003 TIR</td> </tr> </table> <p>BREAK ALL SHARP EDGES .005 MIN. .010 MAX.</p>	DEC. .XXX	± .005	DEC. .XX	± .010	FRACT.	± 1/64	ANGLES	± 30'	CONCENTRICITY	.003 TIR	<p>SCALE: 1:1</p> <p>DR: DJM</p> <p>CH: PB</p> <p>APP: PB</p> <p>DATE DR: 9/22/2004</p>	<p>0.0 inch 1.0</p>  <p>0.0 mm 25.0</p>	<p>FLEXIBLE LIGHT PIPE</p>	
DEC. .XXX	± .005														
DEC. .XX	± .010														
FRACT.	± 1/64														
ANGLES	± 30'														
CONCENTRICITY	.003 TIR														
<p>CHAMFER ALL THREADS 30° TO ROOT DIAMETER</p>	<p>MAX. SURF. ROUGHNESS: $\sqrt{32}$</p>	<p>DO NOT SCALE DRAWING</p>		<p>SIZE A</p>	<p>1-60106_OL</p> <p>SHEET 1 OF 1</p>	<p>REV A</p>									