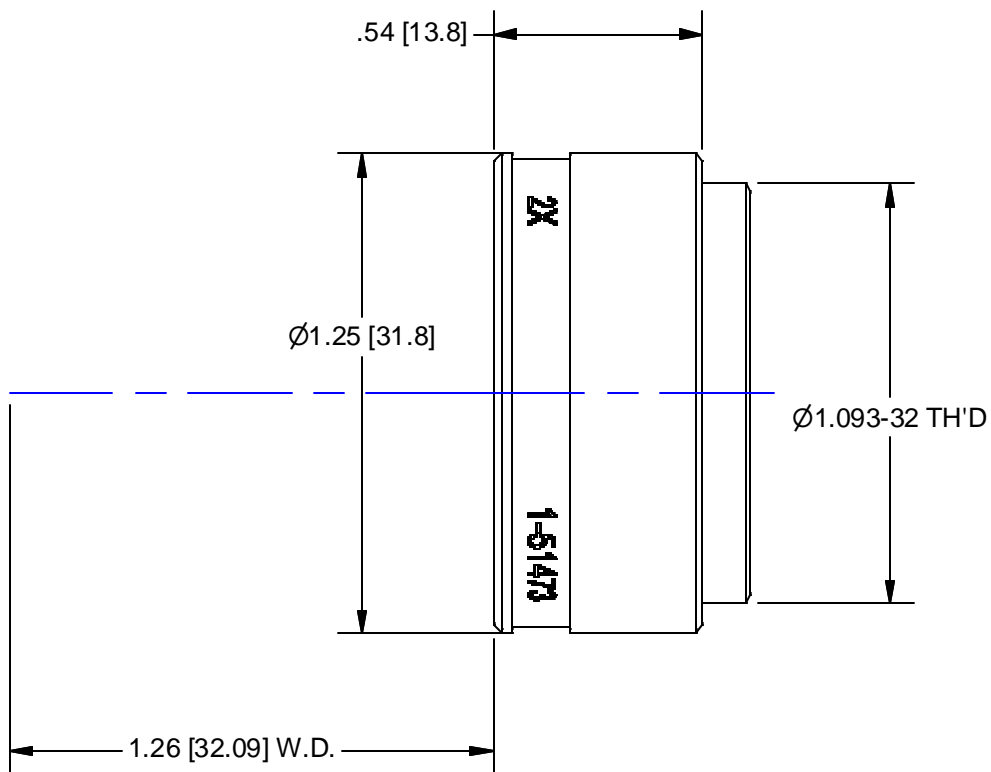


REVISION HISTORY

REV	DESCRIPTION	DATE	APPROVED
A	Released	3/8/2004	ERTEL



SCALE 1 : 1

OUTLINE

USED ON:

MATERIAL:

UNLESS OTHERWISE SPECIFIED DIMENSIONS ARE IN INCHES AND INCLUDE CHEMICALLY APPLIED OR PLATED FINISHES

TOLERANCES AS FOLLOWS
 DEC. .XXX ± .005
 DEC. .XX ± .010
 FRACT. ± 1/64
 ANGLES ± 30'
 CONCENTRICITY .003 TIR
 BREAK ALL SHARP EDGES .005 MIN. .010 MAX.
 MAX. SURF. ROUGHNESS: $\sqrt{32}$

P/N SUFFIX DEFINITION

- 1 CONVERSION COATING
- 2 PAINTING
- 3 MARKING
- R REWORK

SCALE: 2:1

DR: BE

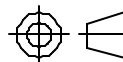
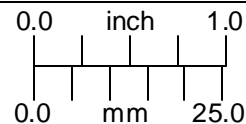
CH: PB

APP: PB

DATE DR: 1/16/2004

DO NOT SCALE DRAWING

THE CONTENTS OF THIS DOCUMENT ARE PROPRIETARY TO NAVITAR, ITS USE IS AUTHORIZED ONLY FOR RESPONDING TO REQUEST FOR QUOTATION OR PERFORMANCE OF WORK FOR NAVITAR



2x LENS ATTACHMENT

SIZE

A

1-51473

SHEET 1 OF 1

REV

A

CHAMFER ALL THREADS 30° TO ROOT DIAMETER